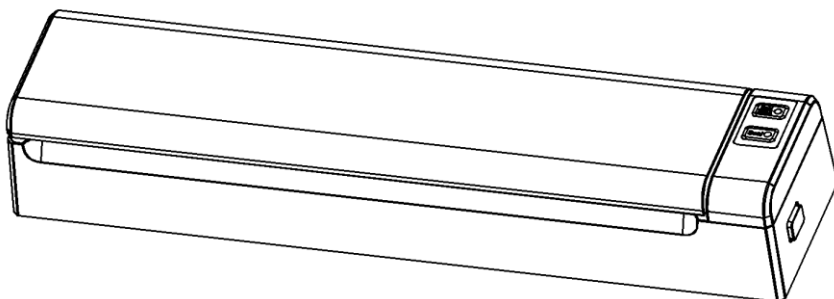


WOOLWORTH®

Vacuum Sealer FR2008

Instruction Manual



WOOLWORTH®

SAFETY NOTES

For your safety, please follow the following safety points when using this appliance:

1. Please read this manual carefully before use.
2. Do not use this appliance on wet surfaces or outdoors.
3. In order to prevent electric shock, do not put the power cord, plug and other parts of the machine into water or other liquids.
4. When disconnecting the power, please unplug the power plug, but do not pull the power cord.
5. Do not use the appliance under abnormal conditions or the power cord and plug have been damaged. If the main part of the power cord has been damaged, it must be returned to the manufacturer or the nearby maintenance point or agent for treatment;
6. Don't use the appliance for other purposes.
7. Do not allow the appliance to be used unattended. Do not leave when the appliance is working or there are children nearby.

8. Keep the appliance away from flammable gas or electric stove, or do not put it in a hot oven.

9. Please wait 10 seconds for the appliance to cool down between two continuous operations.

10. Vacuum packaging cannot replace the heating process like canned packaging, so it still needs to be frozen or refrigerated after packaging.

11. For the best results, please use dedicated packaging bags, containers and accessories.

12. During operation, a small amount of liquid, debris or food particles may be accidentally brought into the vacuum channel, so please empty the hand-held suction nozzle after each use.

13. To avoid overfilling, 7cm space is usually reserved at the top of the food and packaging bag. This space allows the food material to be more tightly sealed and prevents the bag from being pulled out of the vacuum channel. At least additional 3CM

space shall be reserved for reuse of this bag.

14. Do not use self-made packaging bags.

15. In order to prevent wrinkles in the packaging process, gently stretch the bag when inserting it into the vacuum channel, and hold the bag with your hand when the vacuum pump is started.

18. When the packaged food (dry pasta) has sharp edges, first wrap it with some soft materials, such as paper towels before vacuum packaging.

19. When using accessories, remember to leave an inch of remaining space on the top of the can or container.

20. In order to obtain better storage effect, fruits and vegetables should be refrigerated before vacuum packaging.

21. This appliance is not intended for use by persons (including children) with reduced physical, sensory or mental capabilities, or lack of experience and knowledge, unless they have been given supervision or instruction concerning use of the appliance

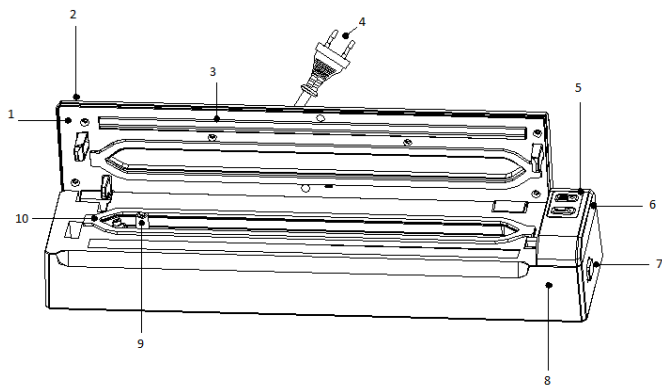
by a person responsible for their safety.

22. Children should be supervised to ensure that they do not play with the appliance.

23. If the supply cord is damaged, it must be replaced by the manufacturer, its service agent or similarly qualified persons to avoid a hazard.

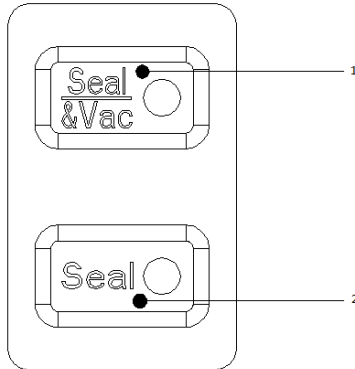
24. This appliance can be used by children aged from 8 years and above and persons with reduced physical, sensory or mental capabilities or lack of experience and knowledge if they have been given supervision or instruction concerning use of the appliance in a safe way and understand the hazards involved. Children shall not play with the appliance. Cleaning and user maintenance shall not be made by children without supervision.

Detail description



1. Lower cover
2. Upper cover
3. Seal press bar
4. Power cord
5. Control panel
6. Key bracket
7. Lock (L/R)
8. Lower body
9. Accessory interface
10. Sponge seal ring

Control membrane



1. Seal & Vac button:

Press the Vac&Seal button to start working. During the pumping process, the Vac&Seal indicator light flashes, and automatically turns to the sealing function after the vacuuming is completed. The Vac&Seal indicator light is always on, and the Seal indicator light flashes. After the sealing is completed, The Seal indicator light is always on for 2s and goes out together with the Vac&Seal indicator light.

2. Seal button:

Press the Seal button to start working, and the indicator light will flash. After the sealing is completed, the indicator light will be always on for 2s and then go out. During air pumping,

press the Seal button at any time to switch to the sealing function.

Note: When the sealing is completed, the machine is forced to rest for 10s. During this period, any function operation will give an alarm, such as the indicator light flashing alarm for 3s, and the machine can resume to work normally after completing the 10s rest time.

Air leakage reminder:

Press the Vac&Seal button to work for 2 minutes, and when the specified negative pressure is not reached, the machine will automatically stop pumping. The Seal indicator light will flash for 3 seconds and then go out, and return to the standby mode.

Pause function:

When pumping, press the Vac&Seal button to stop working immediately. The Vac&Seal button indicator light is always on. Then press the Vac&Seal button again, and the machine will continue pumping.

HOW TO USE

To seal:

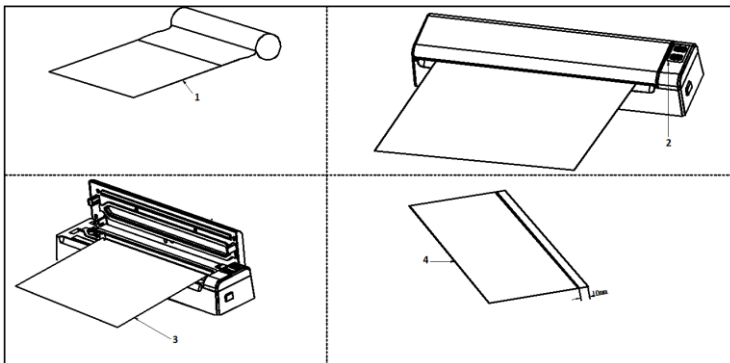
1. Open the cover and pull out the roll bag to an appropriate length;

Cut the appropriate length of roll bag with scissors, open the cover, and put one end of the cut bag into the air chamber;

2. Close the cover and press Seal button to seal it;

3. Open the cover after the sealing is completed ;

4. Complete sealing and make bags.

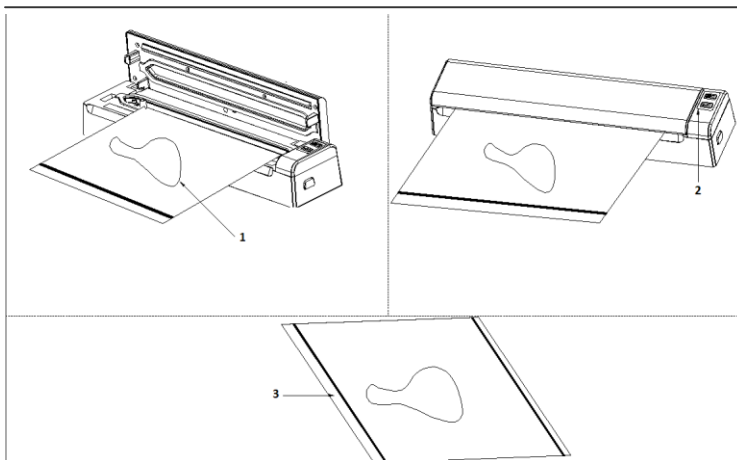


To vacuum & seal:

1. Put the food into the bag and put the bag opening into the air chamber;

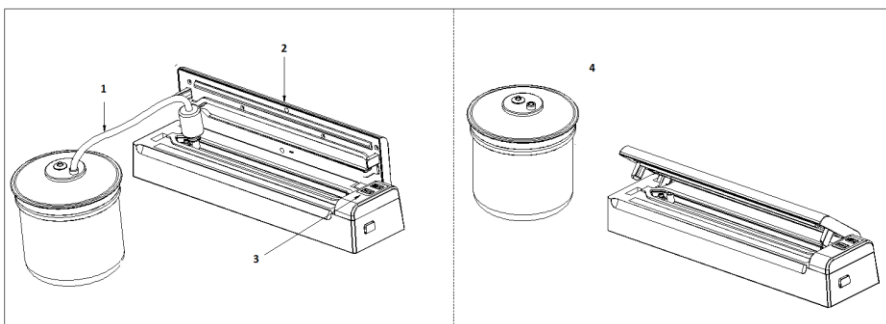
2. Close the cover and press **Vac&Seal** button to start the machine for vacuuming and sealing;

3. Open the cover to complete vacuuming and sealing;



To vacuum an accessory:

1. Open the cover;
2. Insert the connecting pipe to the machine and accessory interface respectively;
3. Press **Vac&Seal** button, the machine starts vacuuming. After the air pump stops working, the vacuuming is finished;
4. Remove the connecting pipe after vacuuming and close the cover.




CLEANING AND MAINTENANCE

Cleaning appliances:

1. Unplug this product before cleaning.
2. Do not immerse this product in any liquid.
3. Do not use abrasive products or materials to clean any parts of this product. These cleaning materials will scratch the surface of this product.
4. Check the hand-held vacuum system to ensure that there is no food residue.
5. The hand-held vacuum nozzle can be removed for cleaning. Wash with warm soapy water.
6. Clean the sink after each use. Wash it in warm soapy water or put it on the upper shelf of the dishwasher.
7. Before reuse, dry the product thoroughly.

Generally, move the handheld vacuum system to the lowest storage position, and do not leave the handheld vacuum system in the suspended position. When the appliance is in the suspended position, it is easy to be crushed, and the appliance may not work normally.

Korrekte Entsorgung dieses Produkts	
	Das Produkt muss per Gesetz zur Entsorgung an einer Sammelstelle für Elektroaltgeräte abgegeben werden, um eine umweltgerechte Entsorgung zu gewährleisten. Informationen erhalten Sie bei Ihrer Stadt & Gemeindeverwaltung.

WOOLWORTH®